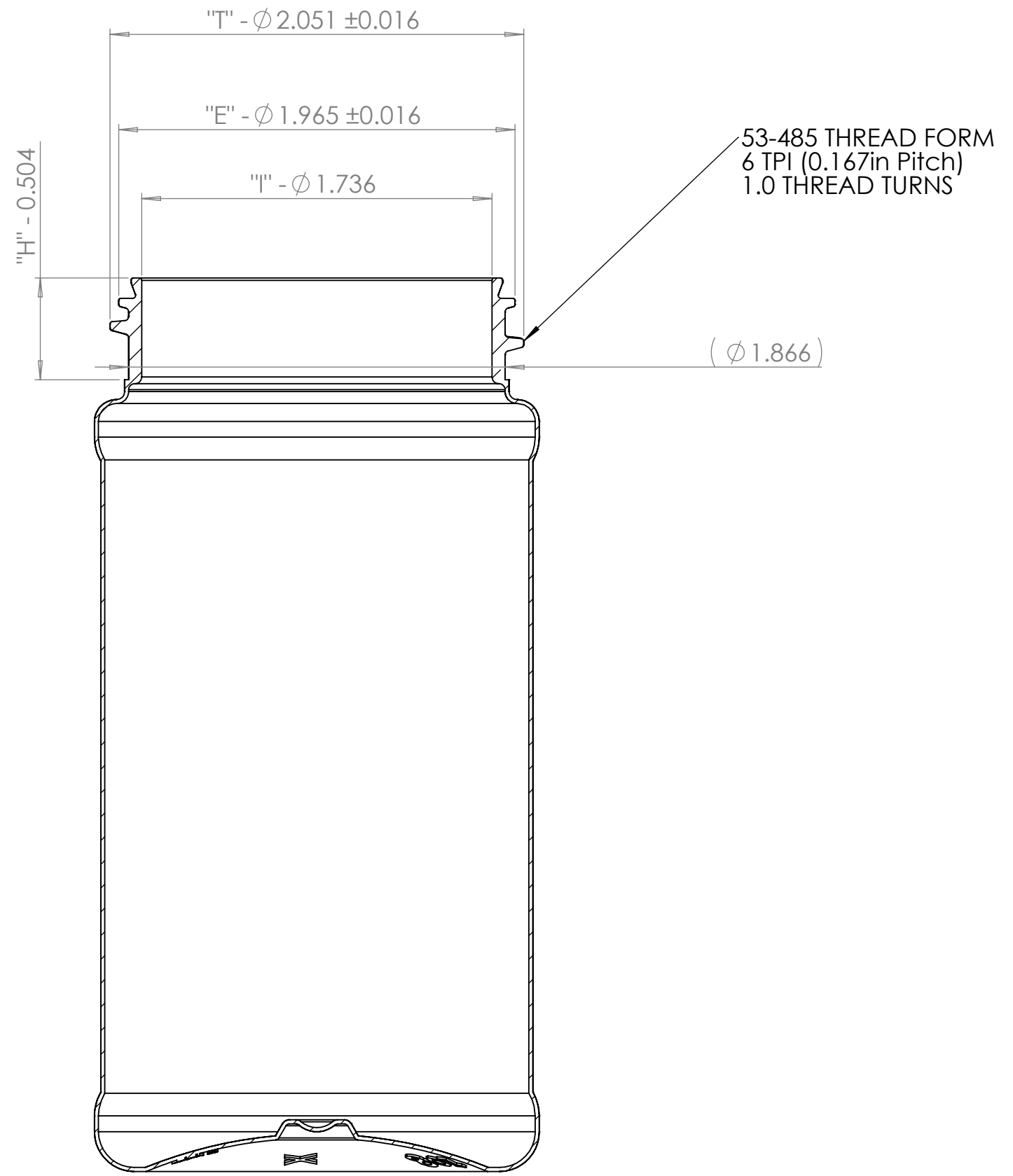
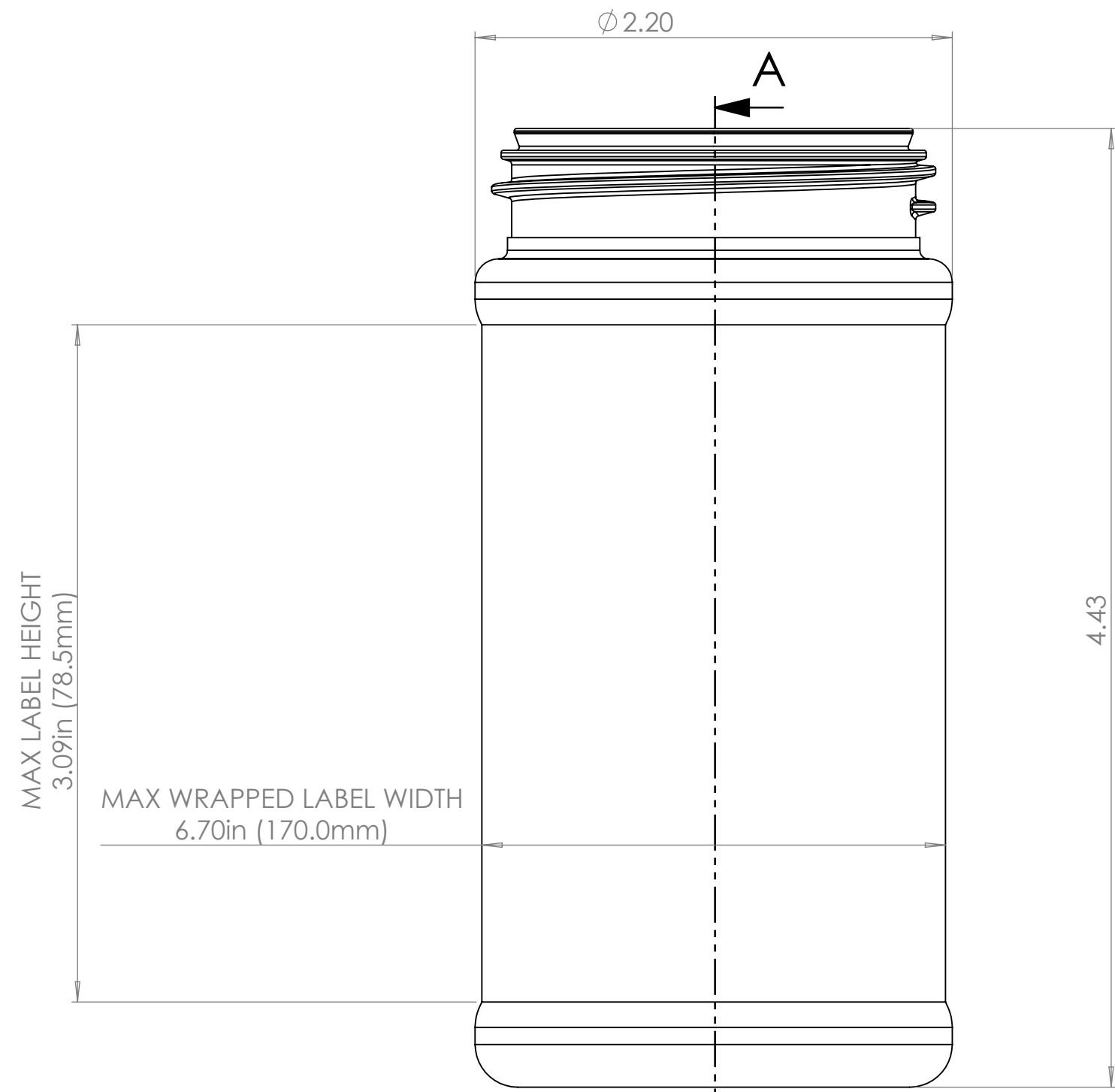
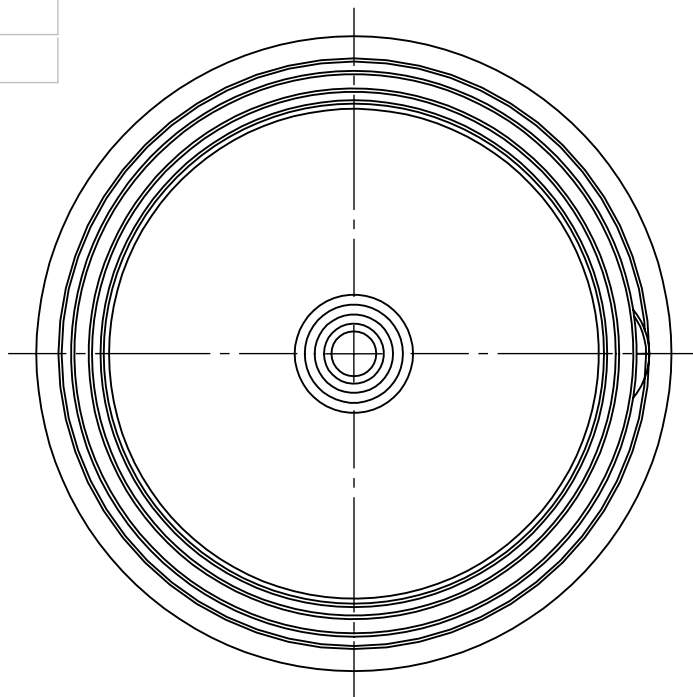
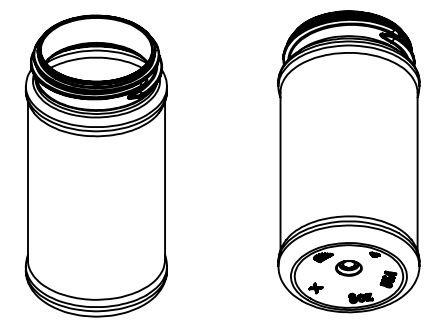
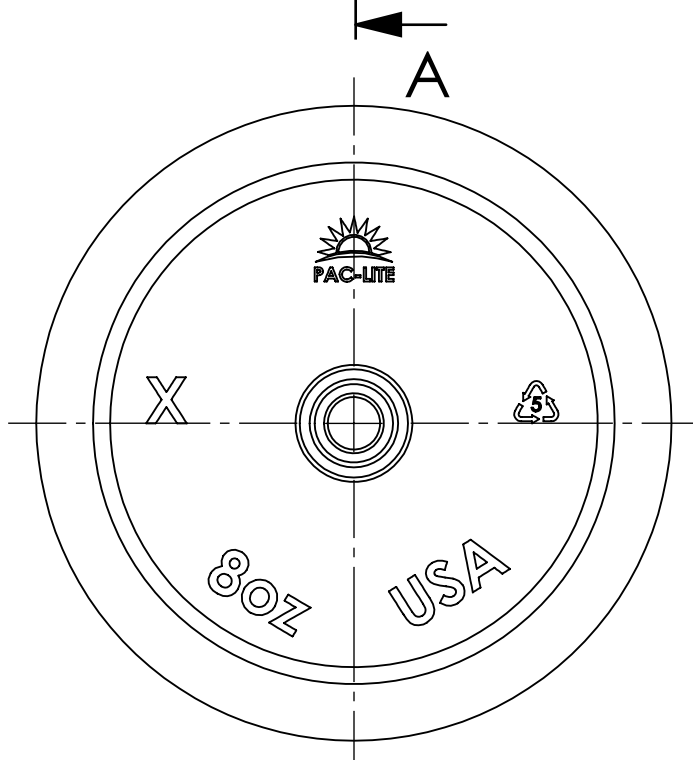


REV	DATE	DESCRIPTION
0	11/12/2025	DRAWING CREATED
1	04/06/2026	REV ADDED LABEL DIMS



SECTION A-A



**PROPRIETARY AND CONFIDENTIAL**  
 THE INFORMATION CONTAINED IN THIS DRAWING IS THE SOLE PROPERTY OF PHARMACY-LITE. ANY REPRODUCTION IN PART OR AS A WHOLE WITHOUT THE WRITTEN PERMISSION OF PHARMACY-LITE IS PROHIBITED.

UNLESS OTHERWISE SPECIFIED:	
DIMENSIONS ARE IN INCHES	
TOLERANCES:	
FRACTIONAL ± 1/32	
ANGULAR: MACH ± 0.1°	
BEND ± 2.5°	
TWO PLACE DECIMAL ± 0.015	
THREE PLACE DECIMAL ± 0.005	
INTERPRET GEOMETRIC TOLERANCING PER:	
MATERIAL	POLYPROPYLENE
FINISH	
APPLICATION	DO NOT SCALE DRAWING

NAME	DATE
DRAWN BC	11/12/25
CHECKED	
ENG APPR.	
MFG APPR.	
Q.A.	
COMMENTS:	
CUSTOMER DRAWING	

<b>PAC-LITE</b>	
250 Warden Ave., Elyria, OH 44035 844-527-5483	
TITLE: SPICE JAR - 8oz ROUND	
SIZE	DWG. NO.
<b>C</b>	<b>SJ-8/P000CD</b>
SCALE: 1.5:1	WEIGHT:
REV	1
SHEET 1 OF 1	